

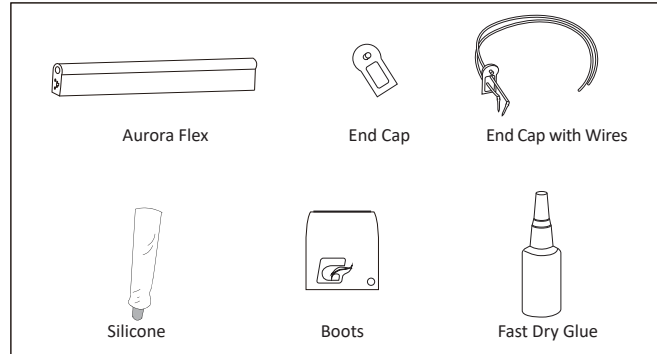
# AURORA FLEX/MINI SERIES

## INSTALLATION GUIDE

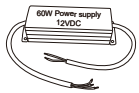
### Power Supply Loads

Neon	Cut Intervals	FT (60W)
AURORA Flex Series	1.4"	20

### Accessories



### Installation Tools



Power Supply

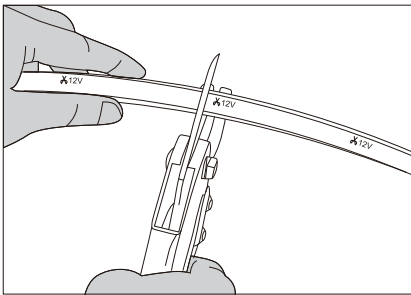


PVC Cutter

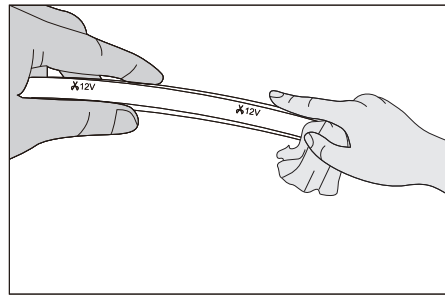


Nipper Plier

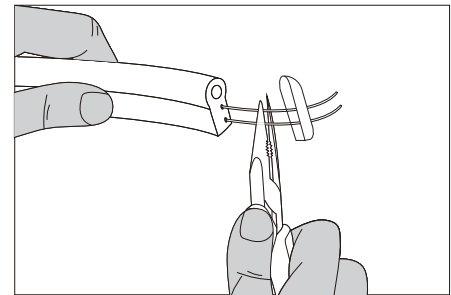
## For Indoor Use



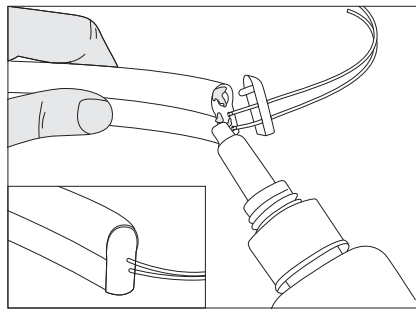
1. Cut Aurora Flex/Mini on the cutting mark.



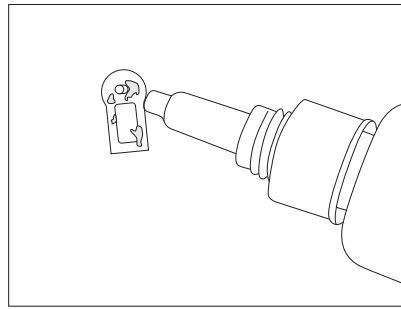
2. Clean the surface of Aurora Flex/Mini with Alcohol.



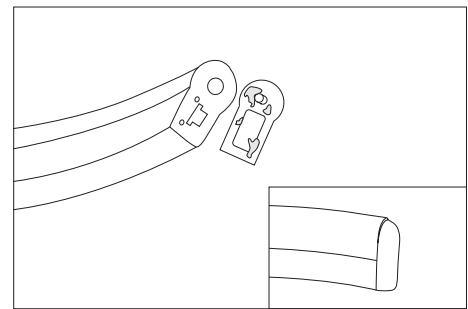
3. Plug end cap with wires to Aurora Flex/Mini



4. Apply Fast Dry Glue to Aurora Flex/Mini and end cap with wire.



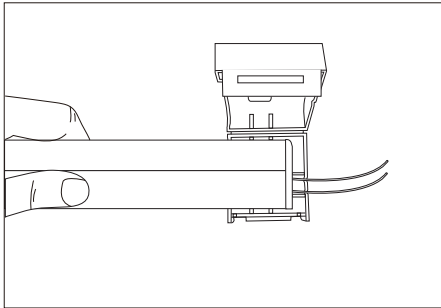
5. Same application on the other end without wire.



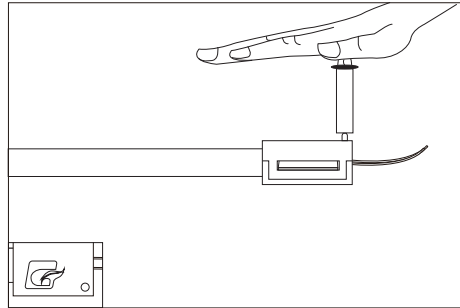
6. Press them to fix together.

# For Outdoor Use

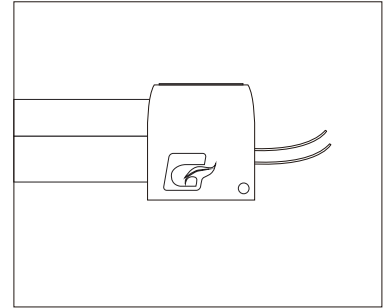
## Base on Indoor Step



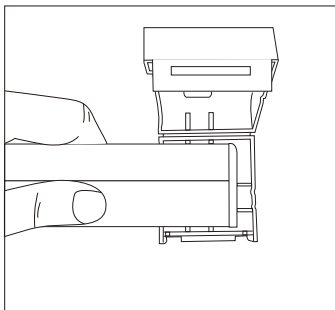
7. Install Flex boots.



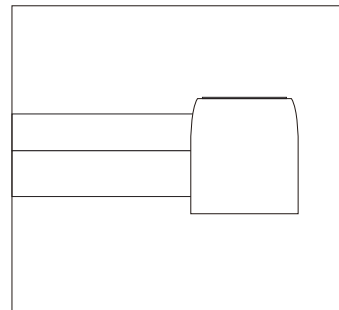
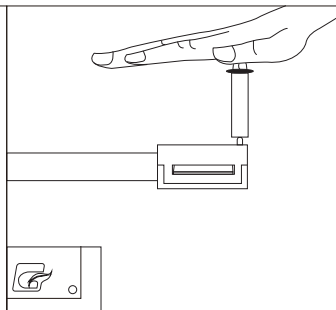
8. Inject silicone into the boots through the hole.



9. Finish.



10. Same application on the other end without wires.



11. Finish.

